



Main Features:-

- ◆ Hose Nipple
- ◆ Made of AISI 316
- ◆ BSP (80430—NPT)
- ◆ Working Temperature -20 to + 220C *
- ◆ Max. Working pressure 20 Bar

*Temperature and pressure determined by valve body, seat etc.

Suitable Applications & Approvals:



HVAC



OIL



GAS



INDUSTRY

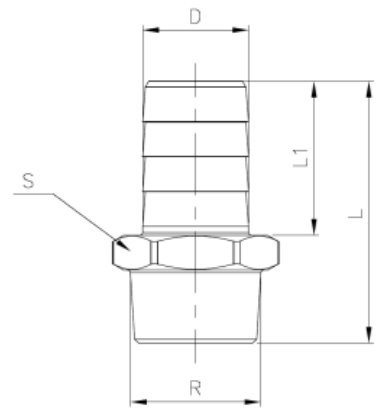


SERIES: 80429

MANUFACTURER: **GENEBRE**

VALVE MATERIALS & DIMENSIONS

Ref	SIZE (R)	L	L1	D	S
80429-02	1/4"	42.5	28	9	15
80429-03	3/8"	49	33	11.5	18
80429-04	1/2"	57.5	38	15	22
80429-05	3/4"	66	45	20	28
80429-06	1"	76	52	27	35
80429-07	1 1/4"	79	52	33	44
80429-08	1 1/2"	83	56	39.5	50
80429-09	2"	92	60	52	62
80429-10	2 1/2"	99	65	67	78
80429-11	3"	107.5	70	80	91



ALLVALVES

Offering a full range of actuated valve packages, manual valve range, pipe fittings and pumps, we have a product for all your requirements. As an ISO 9001-2015 Quality Approved and certified company, All Valves offer a quality service from pre-sale to post sale. Shipping millions of pounds in value of manual valve and actuated valve packages all over the world since its formation, All Valves are a trusted valve and actuator supplier to many companies all over the world. Working with the leading brands in most industries.



T +44 (0)1386 552369

E sales@allvalves.co.uk

W www.allvalves.co.uk

F +44 (0)1386 554227